

Lean Selection speed

CYLINDRICAL GRINDING WITH SPEED



FUNCTIONAL, EFFICIENT GRINDING



The Lean Selection speed is an extremely efficient high-speed grinding machine, perfect for grinding small and medium-sized production series in single or multiple-shift operation. When it comes to grinding shaft-type parts, including blanks for cutting tools, the Lean Selection speed is a very cost-efficient solution and is both highly flexible and efficient.

Highlights of the Lean Selection speed

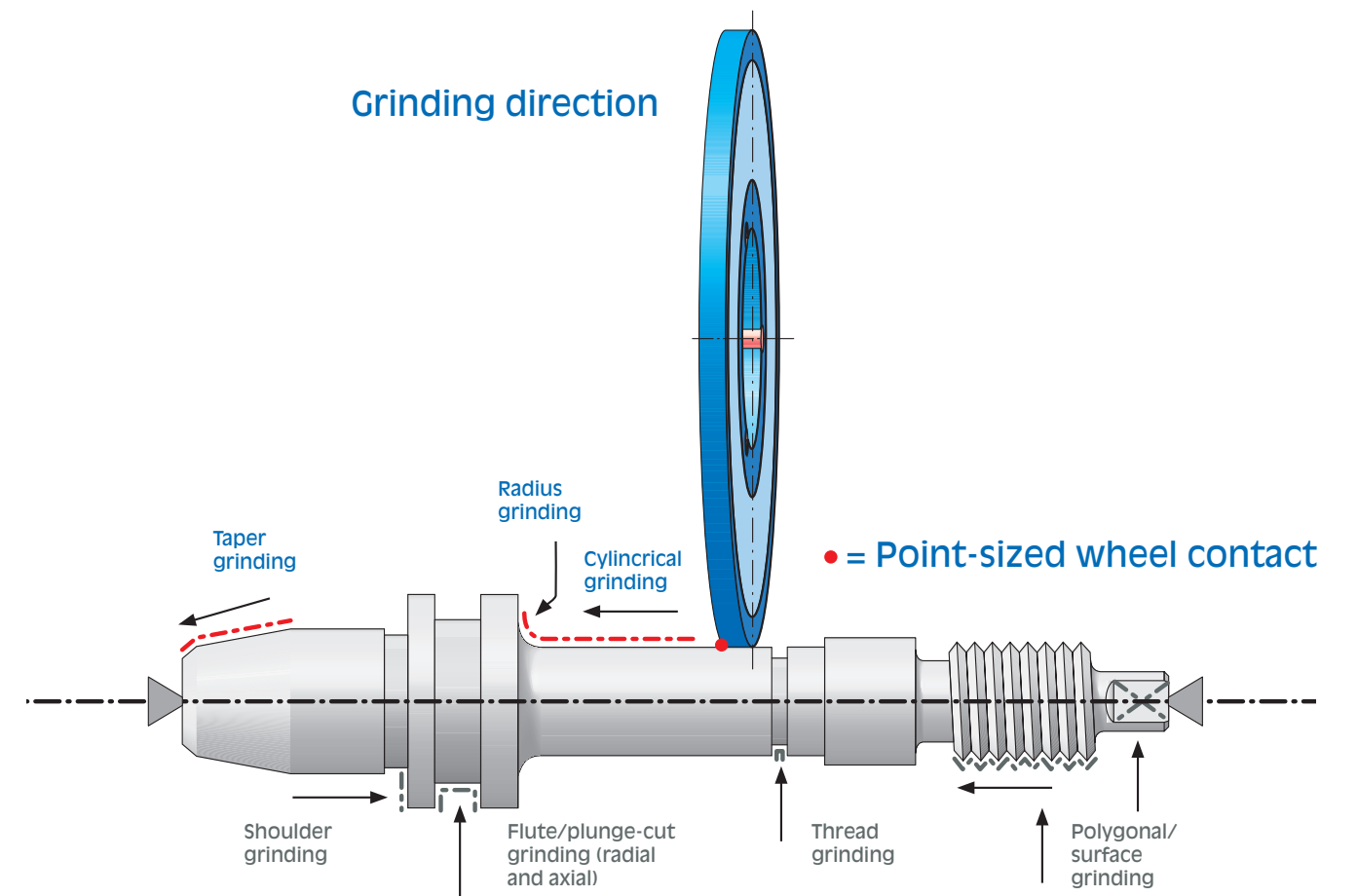
- CBN and/or diamond grinding wheels
- Peripheral speed of up to 140 m/s
- High stock removal capacity
- Fast retooling
- High rate of availability
- Minimal non-productive times
- Rigid machine base design
- Easy to operate
- Sophisticated automation concepts
- Comprehensive service package

LEAN SELECTION – A FULL RANGE OF STANDARD MACHINES

The efficient universal grinding machines of the JUNKER Lean Selection are ideal for manufacturing single parts and small series. This means they're perfect for contractors, small suppliers and medium-sized businesses. They can also be used for mass production. The Lean Selection grinding machines are user-friendly and built to JUNKER's high standards of product quality and precision.

QUICKPOINT GRINDING TECHNOLOGY

The Lean Selection speed is backed by 30 years of experience in QUICKPOINT grinding with CBN/diamond grinding wheels. The QUICKPOINT grinding method involves using just a point-sized grinding contact area for finish grinding. For this operation an extremely low-wear CBN or diamond grinding wheel just a few millimeters wide is used. By creating a relief angle, the contact zone between wheel and workpiece is reduced from a contact line to a contact point.



JUNKER QUICKPOINT grinding technology

UNIVERSAL AND EFFICIENT

FAST, EFFICIENT CYLINDRICAL GRINDING

- Rough and finish grinding with two grinding spindles by swiveling the B-axis
- Proven, well-engineered components
- Glass scale on the X-axis
- Workhead and grinding spindle with 3-point mounting interface
- Hydraulic tailstock with micro-fine adjustment
- Workpiece clamped between centers (with no chuck or special carriers)
- Up to two 12-kW high-frequency OD grinding spindles



Workpiece clamped between centers - no need for a clamping chuck



JUNKER standard bore: fast, easy, flexible

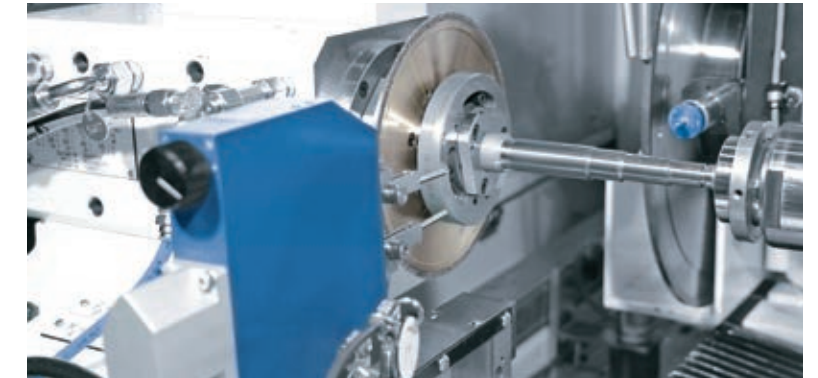
JUNKER STANDARD BORE GUARANTEES TOP ACCURACY AND SUPER FAST TOOLING TIMES

The JUNKER standard bore is included on the wheelhead, workhead, and tailstock and makes tooling times much faster.

- Fast changeover and tooling times (under 2 min. for center points, under 20 min. for grinding wheels)
- Easy-to-mount
- Optimal centering
- Axially mounted with screwed-on grinding wheel flange, allowing changeover in rotational direction
- Concentricity 2/1000 mm

OPTIONS AND ACCESSORIES

- Approach sensors/wheel balancing systems
- Glass scale on the Z-axis
- Diameter measuring system
- Length positioning system
- Automatic steady rests
- Clamping chuck/hydraulic chuck
- Coolant plant
- Automation system
- Teleservice connection
- Air filter unit
- Fire protection and extinguisher
- Additional options and accessories available on request



Option: Length positioning system

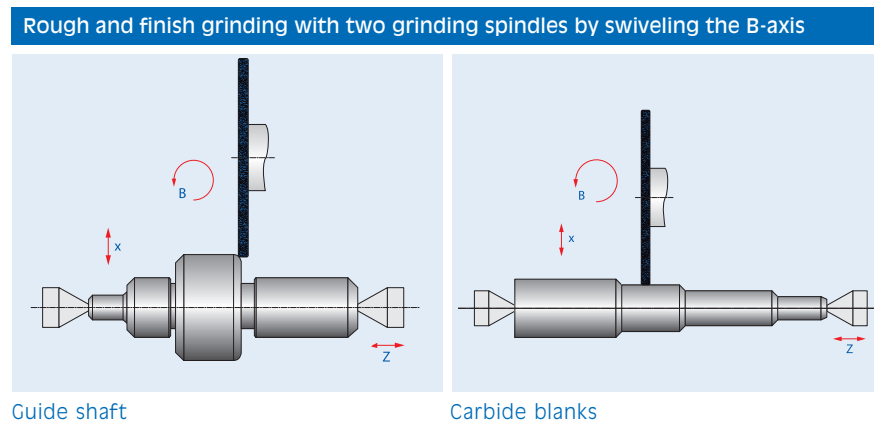


Option: sophisticated automation concepts, i.e. with JURBOT cell

Part geometries

The Lean Selection speed can grind the following part geometries:

- Cylindrical diameters
- Tapers and radii
- Shoulders
- Offsets and recessed portions (cylindrical grinding)



RELIABLE FIRE PROTECTION CONCEPT - "THE JUNKER SAFETY SYSTEM"

Since the machine partly uses oil as coolant, there may be a chance of fire and explosion. The JUNKER safety system prevents damage to machines and buildings. In case of explosion, the machine interior is

automatically sealed off, preventing fire from breaking out (tested by the Institute for Safety Technology IBExU). Upon request, extinguishers (CO₂ or water-atomizing) can be installed additionally.





EASY TO OPERATE

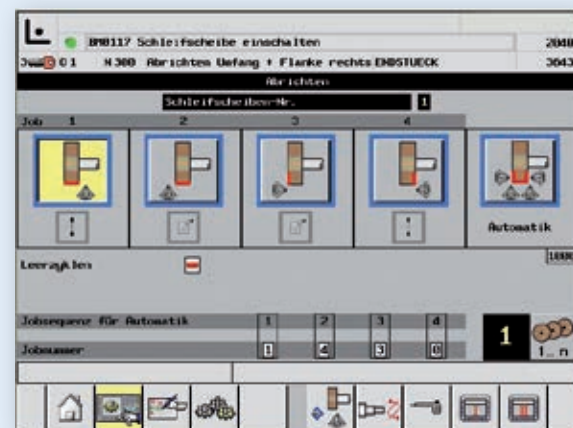
The machine comes standard with the JUWOP/R-P programming system. Alternatively, programming can also be done using the DIN/ISO system. The machine can be programmed either directly from the controls via a 15-inch touchscreen or externally from a PC or laptop.

JUWOP/R-P – PROGRAMMING SOFTWARE FOR HIGH PRODUCTION MANUFACTURING

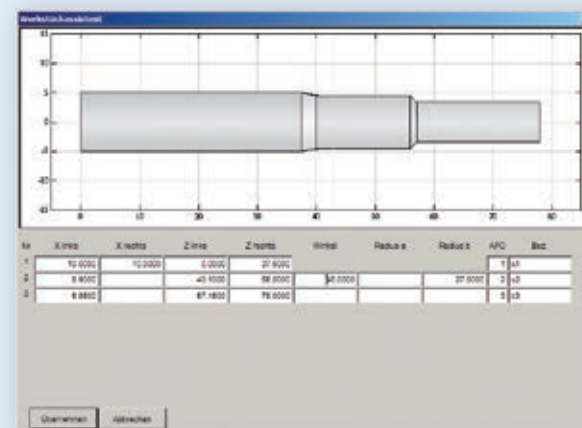
JUWOP/R-P is highly flexible software program. The operator is not limited by pre-set grinding cycles and is free to optimize the program for special operations. The grinding process can be optimized for capacity, cycle time and quality using the advanced manual adjustment options. The programmed positions are displayed to scale on the screen.

Powerful CNC controls

- Easy to operate
- Ergonomically designed input screens
- Graphically assisted parameter input
- Auxiliary function during data entry
- Plausibility check for entered parameters
- Multi-lingual operating guidance



Dressing options

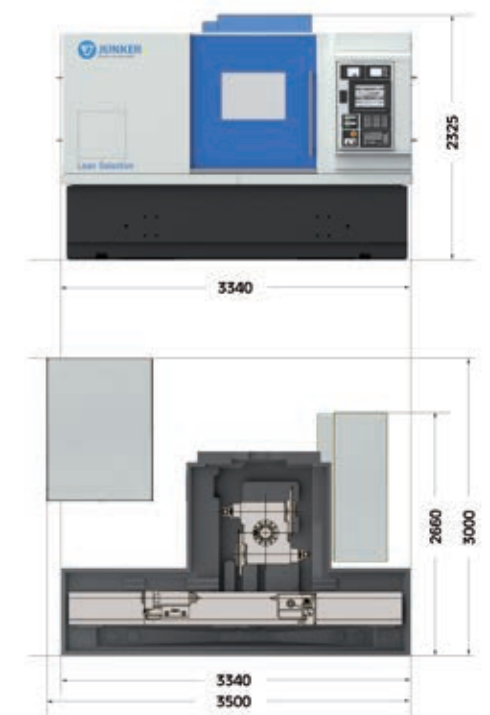
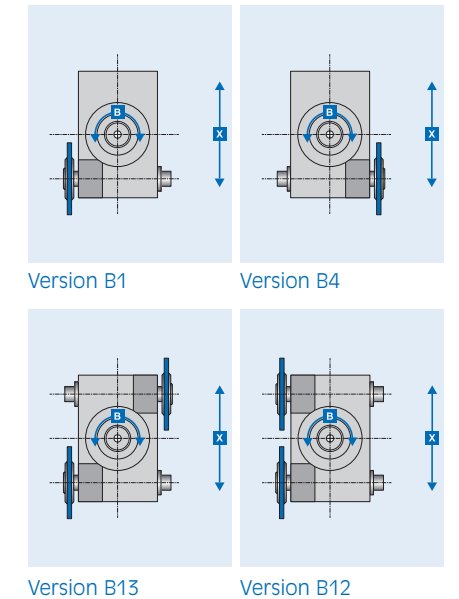


Workpiece assistant for easy programming of standard parts. A step drill blank is shown here as an example.

TECHNICAL SPECIFICATIONS

Lean Selection speed

Workpiece specifications	<ul style="list-style-type: none"> • Workpiece diameter: 150 mm • Grinding length: 500 mm • Clamping length: 800 mm • Center height: 150 mm • Workpiece weight (between centers): max. 10 kg
Infeed axis (X-axis)	<ul style="list-style-type: none"> • Max. travel: 350 mm • Speed: 0.001 – 10 m/min • Resolution: 0.0001 mm • Direct position sensor with glass scale
Longitudinal axis (Z-axis)	<ul style="list-style-type: none"> • Max. travel: 1.000 mm • Speed: 0.001 – 12 m/min • Resolution: 0.0001 mm • Glass scale (optional)
Wheel head (B-axis)	<ul style="list-style-type: none"> • Swiveling range: 210° • B-axis resolution: 0.0001° • With one or, optionally, two spindles
OD grinding spindle	<ul style="list-style-type: none"> • Drive capacity: 12 kW • Grinding wheel diameter: 400 / 350 mm • Grinding wheel width: 20 mm • Peripheral speed: 140 m/s • Mounting interface: 3-point system
Workhead	<ul style="list-style-type: none"> • RPM range: 1 – 12,000 1/min • Mounting interface: 3-point system • Spindle torque: 20 Nm • Spindle throughbore: 30 mm
Tailstock	<ul style="list-style-type: none"> • Sleeve movement: hydraulic • Mounting interface: 3-point system
Connection load	20 kVA
Dimensions	L x W x H: 3,340 x 2,660 x 2,325 mm (without coolant plant)
Weight	12,000 kg (without coolant plant)



EUROPE

Erwin Junker Maschinenfabrik GmbH

Junkerstraße 2
77787 Nordrach
Germany

info@junker.de
+49 7838 84-0

Erwin Junker Grinding Technology a.s. Plant Holice

Pardubická 332
534 01 Holice
Czech Republic

info@junker.cz
+420 466 003-111

Erwin Junker Grinding Technology a.s. Russia Branch Office

Prospekt Tolbukhina 17/65
150000 Yaroslavl
Russian Federation

info@junker-russia.ru
+7 4852 206121

**JUNKER
GROUP**

Erwin Junker Makina Sanayi Ticaret LTD. ŞTİ.

Esentepe Mah.
Milangaz Cad. No:75
Monumento
Kartal/Istanbul
Turkey

info@junker-turkey.com.tr
+90 216 5042811

LTA Lufttechnik GmbH

Junkerstraße 2
77787 Nordrach
Germany

info@lta-filter.com
+49 7838 84-245
www.lta-filter.com

LTA Industrial Air Cleaning Systems s.r.o.

Lidická 66
252 68 Středokluky
Czech Republic

info@lta-filter.com
+420 233 012-113
www.lta-filter.com

AMERICA

Erwin Junker Machinery, Inc.

2541 Technology Drive, #410
Elgin, IL 60124
USA

info@junker-usa.com
+1 847 4880406

Erwin Junker de Mexico, S. de R.L. de C.V.

Blvd. Bernardo Quintana #7001
Torre 2, #1203
Centro Sur Querétaro
Qro., C.P. 76079
Mexico

info@junker.com.mx
+52 442 1995111

Erwin Junker Máquinas Ltda.

Estrada do Capivari 751
Cep 09838-900
S.B. do Campo, São Paulo
Brazil

info@junker-group.com.br
+55 11 4153-9645
+55 11 4397-6008

LTA Industrial Air Cleaning Systems, Inc.

2541 Technology Drive, #410
Elgin, IL 60124
USA

info@lta-filter.com
+1 847 4880406
www.lta-filter.com

ZEMA Zselics Ltda.

Estrada do Capivari 741
Cep 09838-900
S.B. do Campo, São Paulo
Brazil

zema@zema.com.br
+55 11 4397-6000
www.zema.com.br

ASIA

Erwin Junker Maschinenfabrik GmbH Shanghai Representative Office

Unit 1003, Floor 10
Tower II Kerry Ever Bright City
Enterprise Center
No. 209 Gonghe Road
200070 Shanghai
P.R. China

info@junker.com.cn
+86 21 61438528

Erwin Junker Machinery (Shanghai) Co., Ltd.

Section D, Floor 6, Building 16#
No.69 Xi Ya Road
Waigaoqiao Free Trade Zone
200131 Shanghai
P.R. China

services@junker.com.cn
+86 2150 463525

Erwin Junker Maschinenfabrik GmbH India Branch Office

Office No. 805, Deron Heights
Baner Road,
Pune 411 045
India

info@junker.in
+91 20 27293403